

Loose Lay format

Transitioning between carpet tile and hard surfacing has never been simpler! And hard surface over raised access has been resolved.

LSI Loose Lay vinyl tiles and planks mimic carpet tile characteristics with a thickness of 0.197"/5mm. This uniformity eliminates any transitioning between the two materials. Lifting and replacing to access wiring beneath the floor is accomplished with a backing layer that grips the substrate. Additionally, the acoustic properties are enhanced, comfort under-foot increased, and installation made easier.

Virtually the entire LSI collection of over 160 patterns and colors is available in this format. The reconfigured designs offer a seemingly endless opportunity for creativity as hard and soft surfaces are matched and intermingled.

floors

LSI

Advantages:

Raised access flooring and temporary spaces - with the option of a non-adhesive installation, under-floor cabling and pipes remain accessible. Non-permanent areas are easily reconfigured or re-purposed.

Inter-play of materials - consistency in height between carpet tiles and LSI's Loose Lay tiles and planks increase function and creativity. Tiles may be embedded in the carpet as chair pads or transitioned seamlessly in doorways or corridor thresholds.

Sound dampening enhanced - increased acoustic properties reduce the amount of noise transfer between floors in high rise situations and help manage sound in open spaces.

Flexible in all applications - Product is well suited to heavy traffic, commercial use and rolling loads when used with a pressure sensitive adhesive. When Loose Lay is to be subjected to heavy rolling loads the direct glue down method is recommended.



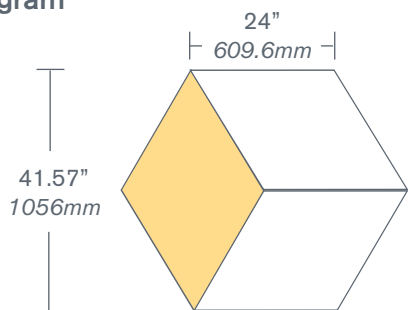
Loose Lay over raised access

Features:

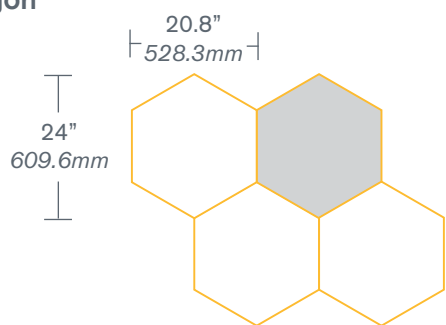
- Polyurethane reinforced (PUR) top surface for durability
- Resistant to scratches, abrasions, scuffing, soiling, and staining
- No waxing or polishing required to maintain the flooring. Easier on the environment and the maintenance budget
- Micron-size silver particle technology ensures anti-microbial, anti-bacterial, and anti-fungal properties
- Proprietary technology and microscopic surface texturing combine to improve the tile's slip resistance when it counts the most, under wet conditions
- Cost effective and environmentally sensitive installation with reduced floor prep and minimal to no adhesive required
- Fully recyclable at the end of its useful life. We want it back!

Shapes. Loose Lay format is available in all shaped formats. Please reference listing on next page for full details.

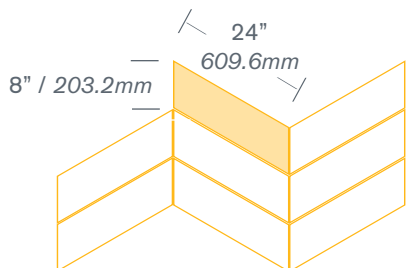
Parallelogram



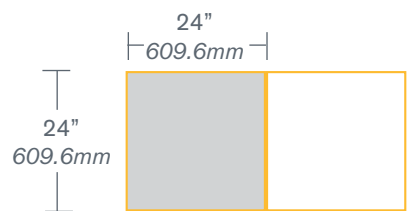
Hexagon



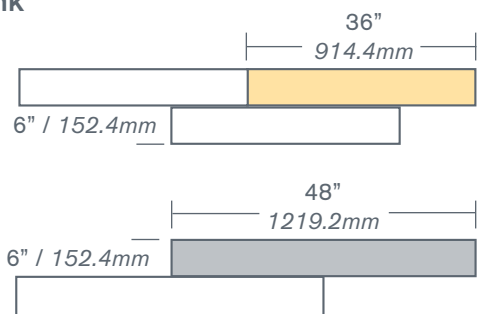
Chevron



Square



Plank



Parallelogram in Loose Lay format

Data Specification Information Loose Lay format is available in all LSI patterns listed below

Square	Tile size	Tile thickness	Edge type	Carton size	Pieces per carton	Weight per carton
Antique Woods, Bamboo, Clovelly CLL42511, CLL42512, CLL42516, Concrete, Cork, Cow, Earth Woods, Elements, Hammered Aluminum, Healthcare Wood, Natural Woods, Rusted Steel, Solids, Sparkly Chips, Stained Concrete, Tadao & Ando, Tread Plate, Weathered Concrete	24" x 24" / 609.6 x 609.6mm	0.197" / 5 mm	Straight	24 ft ² / 2.23m ²	6 squares	47.3 lb / 21.5 kg

Plank	Tile size	Tile thickness	Edge type	Carton size	Pieces per carton	Weight per carton
Antique Woods, Bamboo, Earth Woods, Natural Woods	6" x 36" / 152.3 x 914.4mm	0.197" / 5 mm	Straight	21 ft ² / 1.95m ²	14 planks	40.7 lb / 18.5 kg
Healthcare Wood Weathered Concrete	6" x 48" / 152.3 x 1219.2mm	0.197" / 5 mm	Straight	20 ft ² / 1.86m ²	10 planks	39.2 lb / 17.8 kg

Parallelogram	Tile size	Tile thickness	Edge type	Carton size	Pieces per carton	Weight per carton
	24" x 41.57" / 609.6 x 1056mm	0.197" / 5 mm	Straight	10.4 ft ² / 0.965m ²	3 pieces	21.5 lb / 9.8 kg
Hexagon	Tile size	Tile thickness	Edge type	Carton size	Pieces per carton	Weight per carton
	20.8" x 24" / 527.9 x 609.6mm	0.197" / 5 mm	Straight	15.6 ft ² / 1.45m ²	6 pieces	30.8 lb / 14 kg
Chevron	Tile size	Tile thickness	Edge type	Carton size	Pieces per carton	Weight per carton
	8" x 24" / 203.2 x 609.6mm	0.197" / 5 mm	Straight	10.4 ft ² / 0.965m ²	9 pieces	20.9 lb / 9.5 kg

Antique Woods, Bamboo, Clovelly
CLL42511, CLL42512, CLL42516,
Concrete, Cork, Cow, Earth Woods,
Elements, Hammered Aluminum,
Healthcare Wood, Natural Woods,
Rusted Steel, Solids, Sparkly Chips,
Stained Concrete, Tadao & Ando,
Tread Plate, Weathered Concrete

Technical Standards

	ASTM and EN Standard	Result
Wear Group	EN 685	Class 34,43
Caster Chair	ASTM D6962	(10,000 cycles) 4.5 (scale 1-5)
Slip Resistance	ASTM D2047 DIN 51130 EN 13893	ADA Compliant R10 ≥ 0.3
Residual Indentation	ASTM F970 EN 433 ASTM F1914-98	(250 lbs) 0.003" 0.07 mm (Residual indentation at 75 lbs) - 0.002"
Chemical Resistance	ASTM F925 EN 423	Excellent Excellent
Acoustical Impact Noise Reduction	ASTM E492-09 EN ISO 717-2	IIC 46 22dB
Color Fastness	ASTM F1515 ISO 105-B02-3	Exceeds requirements ≥ 6
Dimensional Stability	ASTM F2199 EN 434	Exceeds requirements ≤ 0.25%
Flexibility	ASTM F137 EN 435	Pass Pass
Smoke Generation	ASTM E662	> 450
Fire Rating	ASTM E648 DIN 4102 EN 1350-1	Class 1 B 1 B ₁ -s1



Specifier Information for Loose Lay format

Technical Specification Sheet

SECTION 09 65 19 RESILIENT TILE FLOORING

PART 1 GENERAL

1.01 SECTION INCLUDES

- A. Resilient tile flooring.
- B. Subfloor filler material.
- C. Primer and adhesives.
- D. Accessories.

1.02 RELATED SECTIONS

- A. Section (*select Sections that describe the subfloor*).
- B. Section 09 65 13 – Resilient Base and Accessories

1.03 REFERENCES

- A. American Society for Testing and Materials (ASTM)
 - 1. ASTM F1700-Standard Specification for Solid Vinyl Floor Tile.
 - 2. ASTM E648- Critical Radiant Flux
 - 3. ASTM E662 - Smoke Generation
 - 4. ASTM F137 – Flexibility
 - 5. ASTM F2199 – Dimensional Stability
 - 6. ASTM F1515 – Color Fastness
 - 7. ASTM E492-09 - Acoustical Impact Noise Reduction
 - 8. ASTM F925 – Chemical Resistance
 - 9. ASTM F1914-98 – Residual Indentation
 - 10. ASTM F970 – Residual Indentation
 - 11. ASTM D6962 – Caster Chair
- B. Americans with Disabilities Act (ADA)
 - 1. ASTM D2047 - Standard Test Method for Coefficient of Friction
- C. German Institute for Standardization (DIN)
 - 1. DIN 51130 - Standard Assessment of Slip Resistance, Ramp Test
 - 2. DIN 51097 – Standard Assessment of Barefoot Soap and Water Test
- D. International Organization for Standardization (ISO)
 - 1. EN ISO 717-2 Acoustical impact
- E. Japanese Anti-bacterial Properties Testing (JIS)
 - 1. JIS Z 2801 Standard Test Method for Anti-bacterial Properties

1.04 SUBMITTALS

- A. Provide submittals in accordance with Conditions of the Contract and Section 01 33 00-Submittal Procedures.
- B. Submit shop drawings showing plan layout, including direction, pattern and colors. (*Specifier Note: Architect may not require shop drawings if square tile of all the same pattern and color is used*).
- C. Submit two small samples 4 inch (102mm) x 4 inch (102mm) of each tile, illustrating finish and color.
- D. Submit maintenance data for installed products in accordance with Section 01 78 00-Closeout Submittals.

1.05 DELIVERY, STORAGE AND HANDLING

- A. Generally comply with provisions of Section 01 60 00-Product Requirements.
- B. Comply with manufacturer's ordering instructions and lead time requirements to avoid construction delays.
- C. Deliver materials in manufacturer's original, unopened, undamaged containers with identification labels intact.
- D. Store tile indoors, protected from weather conditions and construction activities.

1.06 PROJECT CONDITIONS

- A. Building enclosed, completely protected from outside weather with minimum inside temperature of 60°F.
- B. Maintain a relative humidity of 35-55%.

1.07 WARRANTY

- A. Provide manufacturer's ten-year limited term commercial warranty.

1.08 MAINTENANCE

- A. Extra Material: Furnish [one carton] [quantity of full size units to equal 5% amount installed].
- B. Deliver to Owner's representative and store where directed.
- C. Obtain receipt for delivered material from Owner's representative.

PART 2 PRODUCTS

2.01 MANUFACTURERS

- A. LSI Floors, 5230 Finch Ave. East, Unit #5, Toronto, Ontario, Canada Tel:1.800.449.3916.
- B. Substitutions: [Not Permitted].

2.02 MATERIALS

- A. Floor tile: Solid vinyl tile which meets the following minimum standards:
 - 1. ASTM E648 / Class 1
 - 2. ASTM E662 / less than 450
 - 3. ASTM F137 / pass
 - 4. ASTM F2199 / exceeds requirements
 - 5. ASTM F1515 / Exceeds requirements
 - 6. ASTM E492-09 / IIC 46
 - 7. ASTM F925 / Excellent
 - 8. ASTM F1914-98 / residual indentation at 75 lbs. - 0.002in.
 - 9. ASTM F970 / 250 lbs. - 0.003in.
 - 10. ADA/D-2047 / average test result 0.87
 - 11. ASTM D6962 / 10,000 cycles - 4.5 (scale 1-5)
 - 12. DIN 51130 / R10 average test result 13.3°
 - 13. DIN 51097 / Class A
 - 14. ISO 717-2 / 22dB
 - 15. JIS Z 2801 / pass
 - 16. ASTM G-21 / pass
- B. Primer and Adhesive for installation: Waterproof; as recommended by tile manufacturer.
- C. Subfloor Filler: White premix latex type as recommended by tile manufacturer.
- D. Accessories: Maintenance as recommended by tile manufacturer.

2.03 MANUFACTURED UNITS (*Listed alphabetically. Select one or multiple products.*)

Antique Woods, 0.197" / 5mm thickness

Color	Shape	SKU	Tile Size
19311 Santa Fe Brown			
	Square	AWL-S-19311	24" x 24" / 609.6 x 609.6mm
	Plank	AWL-P-19311	6" x 36" / 152.3 x 914.4mm
	Parallelogram	AWL-PL-19311	24" x 41.57" / 609.6 x 1055.88mm
	Hexagon	AWL-HEX-19311	20.8" x 24" / 527.9 x 609.6mm
	Chevron, left	AWL-CHL-19311	8" x 24" / 203.2 x 609.6mm
	Chevron, right	AWL-CHR-19311	8" x 24" / 203.2 x 609.6mm
19317 Leather			
	Square	AWL-S-19317	24" x 24" / 609.6 x 609.6mm
	Plank	AWL-P-19317	6" x 36" / 152.3 x 914.4mm
	Parallelogram	AWL-PL-19317	24" x 41.57" / 609.6 x 1055.88mm
	Hexagon	AWL-HEX-19317	20.8" x 24" / 527.9 x 609.6mm
	Chevron, left	AWL-CHL-19317	8" x 24" / 203.2 x 609.6mm
	Chevron, right	AWL-CHR-19317	8" x 24" / 203.2 x 609.6mm
19318 Firebrick			
	Square	AWL-S-19318	24" x 24" / 609.6 x 609.6mm
	Plank	AWL-P-19318	6" x 36" / 152.3 x 914.4mm
	Parallelogram	AWL-PL-19318	24" x 41.57" / 609.6 x 1055.88mm
	Hexagon	AWL-HEX-19318	20.8" x 24" / 527.9 x 609.6mm
	Chevron, left	AWL-CHL-19318	8" x 24" / 203.2 x 609.6mm
	Chevron, right	AWL-CHR-19318	8" x 24" / 203.2 x 609.6mm
19319 Morocco			
	Square	AWL-S-19319	24" x 24" / 609.6 x 609.6mm
	Plank	AWL-P-19319	6" x 36" / 152.3 x 914.4mm
	Parallelogram	AWL-PL-19319	24" x 41.57" / 609.6 x 1055.88mm
	Hexagon	AWL-HEX-19319	20.8" x 24" / 527.9 x 609.6mm
	Chevron, left	AWL-CHL-19319	8" x 24" / 203.2 x 609.6mm
	Chevron, right	AWL-CHR-19319	8" x 24" / 203.2 x 609.6mm
19320 Almost Blue			
	Square	AWL-S-19320	24" x 24" / 609.6 x 609.6mm
	Plank	AWL-P-19320	6" x 36" / 152.3 x 914.4mm
	Parallelogram	AWL-PL-19320	24" x 41.57" / 609.6 x 1055.88mm
	Hexagon	AWL-HEX-19320	20.8" x 24" / 527.9 x 609.6mm
	Chevron, left	AWL-CHL-19320	8" x 24" / 203.2 x 609.6mm
	Chevron, right	AWL-CHR-19320	8" x 24" / 203.2 x 609.6mm

Bamboo, 0.197" / 5mm thickness

Color	Shape	SKU	Tile Size
1671 Saddle Brown			
	Square	BML-S-1671	24" x 24" / 609.6 x 609.6mm
	Plank	BML-P-1671	6" x 36" / 152.3 x 914.4mm
	Parallelogram	BML-PL-1671	24" x 41.57" / 609.6 x 1055.88mm
	Hexagon	BML-HEX-1671	20.8" x 24" / 527.9 x 609.6mm
	Chevron, left	BML-CHL-1671	8" x 24" / 203.2 x 609.6mm
	Chevron, right	BML-CHR-1671	8" x 24" / 203.2 x 609.6mm

1672 Blanched Almond

Square	BML-S-1672	24" x 24" / 609.6 x 609.6mm
Plank	BML-P-1672	6" x 36" / 152.3 x 914.4mm
Parallelogram	BML-PL-1672	24" x 41.57" / 609.6 x 1055.88mm
Hexagon	BML-HEX-1672	20.8" x 24" / 527.9 x 609.6mm
Chevron, left	BML-CHL-1672	8" x 24" / 203.2 x 609.6mm
Chevron, right	BML-CHR-1672	8" x 24" / 203.2 x 609.6mm

1674 Cornfield

Square	BML-S-1674	24" x 24" / 609.6 x 609.6mm
Plank	BML-P-1674	6" x 36" / 152.3 x 914.4mm
Parallelogram	BML-PL-1674	24" x 41.57" / 609.6 x 1055.88mm
Hexagon	BML-HEX-1674	20.8" x 24" / 527.9 x 609.6mm
Chevron, left	BML-CHL-1674	8" x 24" / 203.2 x 609.6mm
Chevron, right	BML-CHR-1674	8" x 24" / 203.2 x 609.6mm

1711 Blonde Ambitions

Square	BML-S-1711	24" x 24" / 609.6 x 609.6mm
Plank	BML-P-1711	6" x 36" / 152.3 x 914.4mm
Parallelogram	BML-PL-1711	24" x 41.57" / 609.6 x 1055.88mm
Hexagon	BML-HEX-1711	20.8" x 24" / 527.9 x 609.6mm
Chevron, left	BML-CHL-1711	8" x 24" / 203.2 x 609.6mm
Chevron, right	BML-CHR-1711	8" x 24" / 203.2 x 609.6mm

1712 Honey

Square	BML-S-1712	24" x 24" / 609.6 x 609.6mm
Plank	BML-P-1712	6" x 36" / 152.3 x 914.4mm
Parallelogram	BML-PL-1712	24" x 41.57" / 609.6 x 1055.88mm
Hexagon	BML-HEX-1712	20.8" x 24" / 527.9 x 609.6mm
Chevron, left	BML-CHL-1712	8" x 24" / 203.2 x 609.6mm
Chevron, right	BML-CHR-1712	8" x 24" / 203.2 x 609.6mm

1715 Brown Sugar

Square	BML-S-1715	24" x 24" / 609.6 x 609.6mm
Plank	BML-P-1715	6" x 36" / 152.3 x 914.4mm
Parallelogram	BML-PL-1715	24" x 41.57" / 609.6 x 1055.88mm
Hexagon	BML-HEX-1715	20.8" x 24" / 527.9 x 609.6mm
Chevron, left	BML-CHL-1715	8" x 24" / 203.2 x 609.6mm
Chevron, right	BML-CHR-1715	8" x 24" / 203.2 x 609.6mm

Clovelly, 0.197" / 5mm thickness

<i>Color</i>	<i>Shape</i>	<i>SKU</i>	<i>Tile Size</i>
42511 Bibury	Square	CLL-S-42511	24" x 24" / 609.6 x 609.6mm
	Parallelogram	CLL-PL-42511	24" x 41.57" / 609.6 x 1055.88mm
	Hexagon	CLL-HEX-42511	20.8" x 24" / 527.9 x 609.6mm
	Chevron, left	CLL-CHL-42511	8" x 24" / 203.2 x 609.6mm
	Chevron, right	CLL-CHR-42511	8" x 24" / 203.2 x 609.6mm
42512 Cople	Square	CLL-S-42512	24" x 24" / 609.6 x 609.6mm
	Parallelogram	CLL-PL-42512	24" x 41.57" / 609.6 x 1055.88mm
	Hexagon	CLL-HEX-42512	20.8" x 24" / 527.9 x 609.6mm
	Chevron, left	CLL-CHL-42512	8" x 24" / 203.2 x 609.6mm
	Chevron, right	CLL-CHR-42512	8" x 24" / 203.2 x 609.6mm

42516 Cheddington

Square	CLL-S-42516	24" x 24" / 609.6 x 609.6mm
Parallelogram	CLL-PL-42516	24" x 41.57" / 609.6 x 1055.88mm
Hexagon	CLL-HEX-42516	20.8" x 24" / 527.9 x 609.6mm
Chevron, left	CLL-CHL-42516	8" x 24" / 203.2 x 609.6mm
Chevron, right	CLL-CHR-42516	8" x 24" / 203.2 x 609.6mm

Concrete, 0.197" / 5mm thickness

<i>Color</i>	<i>Shape</i>	<i>SKU</i>	<i>Tile Size</i>
20411 Dune	Square	CTL-S-20411	24" x 24" / 609.6 x 609.6mm
	Parallelogram	CTL-PL-20411	24" x 41.57" / 609.6 x 1055.88mm
	Hexagon	CTL-HEX-20411	20.8" x 24" / 527.9 x 609.6mm
	Chevron, left	CTL-CHL-20411	8" x 24" / 203.2 x 609.6mm
	Chevron, right	CTL-CHR-20411	8" x 24" / 203.2 x 609.6mm
20412 Myrtle	Square	CTL-S-20412	24" x 24" / 609.6 x 609.6mm
	Parallelogram	CTL-PL-20412	24" x 41.57" / 609.6 x 1055.88mm
	Hexagon	CTL-HEX-20412	20.8" x 24" / 527.9 x 609.6mm
	Chevron, left	CTL-CHL-20412	8" x 24" / 203.2 x 609.6mm
	Chevron, right	CTL-CHR-20412	8" x 24" / 203.2 x 609.6mm
20415 Medallion	Square	CTL-S-20415	24" x 24" / 609.6 x 609.6mm
	Parallelogram	CTL-PL-20415	24" x 41.57" / 609.6 x 1055.88mm
	Hexagon	CTL-HEX-20415	20.8" x 24" / 527.9 x 609.6mm
	Chevron, left	CTL-CHL-20415	8" x 24" / 203.2 x 609.6mm
	Chevron, right	CTL-CHR-20415	8" x 24" / 203.2 x 609.6mm
20417 Bradley	Square	CTL-S-20417	24" x 24" / 609.6 x 609.6mm
	Parallelogram	CTL-PL-20417	24" x 41.57" / 609.6 x 1055.88mm
	Hexagon	CTL-HEX-20417	20.8" x 24" / 527.9 x 609.6mm
	Chevron, left	CTL-CHL-20417	8" x 24" / 203.2 x 609.6mm
	Chevron, right	CTL-CHR-20417	8" x 24" / 203.2 x 609.6mm
20419 Magestic	Square	CTL-S-20419	24" x 24" / 609.6 x 609.6mm
	Parallelogram	CTL-PL-20419	24" x 41.57" / 609.6 x 1055.88mm
	Hexagon	CTL-HEX-20419	20.8" x 24" / 527.9 x 609.6mm
	Chevron, left	CTL-CHL-20419	8" x 24" / 203.2 x 609.6mm
	Chevron, right	CTL-CHR-20419	8" x 24" / 203.2 x 609.6mm

Cork, 0.197" / 5mm thickness

<i>Color</i>	<i>Shape</i>	<i>SKU</i>	<i>Tile Size</i>
60102 Sea Green	Square	CKL-S-60102	24" x 24" / 609.6 x 609.6mm
	Parallelogram	CKL-PL-60102	24" x 41.57" / 609.6 x 1055.88mm
	Hexagon	CKL-HEX-60102	20.8" x 24" / 527.9 x 609.6mm
	Chevron, left	CKL-CHL-60102	8" x 24" / 203.2 x 609.6mm
	Chevron, right	CKL-CHR-60102	8" x 24" / 203.2 x 609.6mm
60104 Masi Red	Square	CKL-S-60104	24" x 24" / 609.6 x 609.6mm
	Parallelogram	CKL-PL-60104	24" x 41.57" / 609.6 x 1055.88mm
	Hexagon	CKL-HEX-60104	20.8" x 24" / 527.9 x 609.6mm
	Chevron, left	CKL-CHL-60104	8" x 24" / 203.2 x 609.6mm
	Chevron, right	CKL-CHR-60104	8" x 24" / 203.2 x 609.6mm

60109 Caramel

Square	CKL-S-60109	24" x 24" / 609.6 x 609.6mm
Parallelogram	CKL-PL-60109	24" x 41.57" / 609.6 x 1055.88mm
Hexagon	CKL-HEX-60109	20.8" x 24" / 527.9 x 609.6mm
Chevron, left	CKL-CHL-60109	8" x 24" / 203.2 x 609.6mm
Chevron, right	CKL-CHR-60109	8" x 24" / 203.2 x 609.6mm

60110 Chocolate

Square	CKL-S-60110	24" x 24" / 609.6 x 609.6mm
Parallelogram	CKL-PL-60110	24" x 41.57" / 609.6 x 1055.88mm
Hexagon	CKL-HEX-60110	20.8" x 24" / 527.9 x 609.6mm
Chevron, left	CKL-CHL-60110	8" x 24" / 203.2 x 609.6mm
Chevron, right	CKL-CHR-60110	8" x 24" / 203.2 x 609.6mm

Cow, 0.197" / 5mm thickness

Color **Shape** **SKU** **Tile Size**

22111 Pink

Square	CWL-S-22111	24" x 24" / 609.6 x 609.6mm
Parallelogram	CWL-PL-22111	24" x 41.57" / 609.6 x 1055.88mm
Hexagon	CWL-HEX-22111	20.8" x 24" / 527.9 x 609.6mm
Chevron, left	CWL-CHL-22111	8" x 24" / 203.2 x 609.6mm
Chevron, right	CWL-CHR-22111	8" x 24" / 203.2 x 609.6mm

22112 Brown

Square	CWL-S-22112	24" x 24" / 609.6 x 609.6mm
Parallelogram	CWL-PL-22112	24" x 41.57" / 609.6 x 1055.88mm
Hexagon	CWL-HEX-22112	20.8" x 24" / 527.9 x 609.6mm
Chevron, left	CWL-CHL-22112	8" x 24" / 203.2 x 609.6mm
Chevron, right	CWL-CHR-22112	8" x 24" / 203.2 x 609.6mm

22113 Black

Square	CWL-S-22113	24" x 24" / 609.6 x 609.6mm
Parallelogram	CWL-PL-22113	24" x 41.57" / 609.6 x 1055.88mm
Hexagon	CWL-HEX-22113	20.8" x 24" / 527.9 x 609.6mm
Chevron, left	CWL-CHL-22113	8" x 24" / 203.2 x 609.6mm
Chevron, right	CWL-CHR-22113	8" x 24" / 203.2 x 609.6mm

Earth Woods, 0.197" / 5mm thickness

Color **Shape** **SKU** **Tile Size**

1001 Laurentian

Square	EWL-S-1001	24" x 24" / 609.6 x 609.6mm
Plank	EWL-P-1001	6" x 36" / 152.3 x 914.4mm
Parallelogram	EWL-PL-1001	24" x 41.57" / 609.6 x 1055.88mm
Hexagon	EWL-HEX-1001	20.8" x 24" / 527.9 x 609.6mm
Chevron, left	EWL-CHL-1001	8" x 24" / 203.2 x 609.6mm
Chevron, right	EWL-CHR-1001	8" x 24" / 203.2 x 609.6mm

1002 Colonial

Square	EWL-S-1002	24" x 24" / 609.6 x 609.6mm
Plank	EWL-P-1002	6" x 36" / 152.3 x 914.4mm
Parallelogram	EWL-PL-1002	24" x 41.57" / 609.6 x 1055.88mm
Hexagon	EWL-HEX-1002	20.8" x 24" / 527.9 x 609.6mm
Chevron, left	EWL-CHL-1002	8" x 24" / 203.2 x 609.6mm
Chevron, right	EWL-CHR-1002	8" x 24" / 203.2 x 609.6mm

1003 Honey

Square	EWL-S-1003	24" x 24" / 609.6 x 609.6mm
Plank	EWL-P-1003	6" x 36" / 152.3 x 914.4mm
Parallelogram	EWL-PL-1003	24" x 41.57" / 609.6 x 1055.88mm
Hexagon	EWL-HEX-1003	20.8" x 24" / 527.9 x 609.6mm
Chevron, left	EWL-CHL-1003	8" x 24" / 203.2 x 609.6mm
Chevron, right	EWL-CHR-1003	8" x 24" / 203.2 x 609.6mm

1004 Sahara

Square	EWL-S-1004	24" x 24" / 609.6 x 609.6mm
Plank	EWL-P-1004	6" x 36" / 152.3 x 914.4mm
Parallelogram	EWL-PL-1004	24" x 41.57" / 609.6 x 1055.88mm
Hexagon	EWL-HEX-1004	20.8" x 24" / 527.9 x 609.6mm
Chevron, left	EWL-CHL-1004	8" x 24" / 203.2 x 609.6mm
Chevron, right	EWL-CHR-1004	8" x 24" / 203.2 x 609.6mm

1005 Hickory Chives

Square	EWL-S-1005	24" x 24" / 609.6 x 609.6mm
Plank	EWL-P-1005	6" x 36" / 152.3 x 914.4mm
Parallelogram	EWL-PL-1005	24" x 41.57" / 609.6 x 1055.88mm
Hexagon	EWL-HEX-1005	20.8" x 24" / 527.9 x 609.6mm
Chevron, left	EWL-CHL-1005	8" x 24" / 203.2 x 609.6mm
Chevron, right	EWL-CHR-1005	8" x 24" / 203.2 x 609.6mm

1007 Chocolate

Square	EWL-S-1007	24" x 24" / 609.6 x 609.6mm
Plank	EWL-P-1007	6" x 36" / 152.3 x 914.4mm
Parallelogram	EWL-PL-1007	24" x 41.57" / 609.6 x 1055.88mm
Hexagon	EWL-HEX-1007	20.8" x 24" / 527.9 x 609.6mm
Chevron, left	EWL-CHL-1007	8" x 24" / 203.2 x 609.6mm
Chevron, right	EWL-CHR-1007	8" x 24" / 203.2 x 609.6mm

1012 Copper Canyon

Square	EWL-S-1012	24" x 24" / 609.6 x 609.6mm
Plank	EWL-P-1012	6" x 36" / 152.3 x 914.4mm
Parallelogram	EWL-PL-1012	24" x 41.57" / 609.6 x 1055.88mm
Hexagon	EWL-HEX-1012	20.8" x 24" / 527.9 x 609.6mm
Chevron, left	EWL-CHL-1012	8" x 24" / 203.2 x 609.6mm
Chevron, right	EWL-CHR-1012	8" x 24" / 203.2 x 609.6mm

1014 Gunstock

Square	EWL-S-1014	24" x 24" / 609.6 x 609.6mm
Plank	EWL-P-1014	6" x 36" / 152.3 x 914.4mm
Parallelogram	EWL-PL-1014	24" x 41.57" / 609.6 x 1055.88mm
Hexagon	EWL-HEX-1014	20.8" x 24" / 527.9 x 609.6mm
Chevron, left	EWL-CHL-1014	8" x 24" / 203.2 x 609.6mm
Chevron, right	EWL-CHR-1014	8" x 24" / 203.2 x 609.6mm

1015 Butter Scotch

Square	EWL-S-1015	24" x 24" / 609.6 x 609.6mm
Plank	EWL-P-1015	6" x 36" / 152.3 x 914.4mm
Parallelogram	EWL-PL-1015	24" x 41.57" / 609.6 x 1055.88mm
Hexagon	EWL-HEX-1015	20.8" x 24" / 527.9 x 609.6mm
Chevron, left	EWL-CHL-1015	8" x 24" / 203.2 x 609.6mm
Chevron, right	EWL-CHR-1015	8" x 24" / 203.2 x 609.6mm

1016 Beech

Square	EWL-S-1016	24" x 24" / 609.6 x 609.6mm
Plank	EWL-P-1016	6" x 36" / 152.3 x 914.4mm
Parallelogram	EWL-PL-1016	24" x 41.57" / 609.6 x 1055.88mm
Hexagon	EWL-HEX-1016	20.8" x 24" / 527.9 x 609.6mm
Chevron, left	EWL-CHL-1016	8" x 24" / 203.2 x 609.6mm
Chevron, right	EWL-CHR-1016	8" x 24" / 203.2 x 609.6mm

1019 Sandbar

Square	EW-LS-1019	24" x 24" / 609.6 x 609.6mm
Plank	EW-LP-1019	6" x 36" / 152.3 x 914.4mm
Parallelogram	EWL-PL-1019	24" x 41.57" / 609.6 x 1055.88mm
Hexagon	EWL-HEX-1019	20.8" x 24" / 527.9 x 609.6mm
Chevron, left	EWL-CHL-1019	8" x 24" / 203.2 x 609.6mm
Chevron, right	EWL-CHR-1019	8" x 24" / 203.2 x 609.6mm

2637 Brazilian

Square	EWL-S-2637	24" x 24" / 609.6 x 609.6mm
Plank	EWL-P-2637	6" x 36" / 152.3 x 914.4mm
Parallelogram	EWL-PL-2637	24" x 41.57" / 609.6 x 1055.88mm
Hexagon	EWL-HEX-2637	20.8" x 24" / 527.9 x 609.6mm
Chevron, left	EWL-CHL-2637	8" x 24" / 203.2 x 609.6mm
Chevron, right	EWL-CHR-2637	8" x 24" / 203.2 x 609.6mm

5512 Jatoba

Square	EWL-S-5512	24" x 24" / 609.6 x 609.6mm
Plank	EWL-P-5512	6" x 36" / 152.3 x 914.4mm
Parallelogram	EWL-PL-5512	24" x 41.57" / 609.6 x 1055.88mm
Hexagon	EWL-HEX-5512	20.8" x 24" / 527.9 x 609.6mm
Chevron, left	EWL-CHL-5512	8" x 24" / 203.2 x 609.6mm
Chevron, right	EWL-CHR-5512	8" x 24" / 203.2 x 609.6mm

20213 Sunset

Square	EWL-S-20213	24" x 24" / 609.6 x 609.6mm
Plank	EWL-P-20213	6" x 36" / 152.3 x 914.4mm
Parallelogram	EWL-PL-20213	24" x 41.57" / 609.6 x 1055.88mm
Hexagon	EWL-HEX-20213	20.8" x 24" / 527.9 x 609.6mm
Chevron, left	EWL-CHL-20213	8" x 24" / 203.2 x 609.6mm
Chevron, right	EWL-CHR-20213	8" x 24" / 203.2 x 609.6mm

20215 Autumn Dust

Square	EWL-S-20215	24" x 24" / 609.6 x 609.6mm
Plank	EWL-P-20215	6" x 36" / 152.3 x 914.4mm
Parallelogram	EWL-PL-20215	24" x 41.57" / 609.6 x 1055.88mm
Hexagon	EWL-HEX-20215	20.8" x 24" / 527.9 x 609.6mm
Chevron, left	EWL-CHL-20215	8" x 24" / 203.2 x 609.6mm
Chevron, right	EWL-CHR-20215	8" x 24" / 203.2 x 609.6mm

20216 Walnut

Square	EWL-S-20216	24" x 24" / 609.6 x 609.6mm
Plank	EWL-P-20216	6" x 36" / 152.3 x 914.4mm
Parallelogram	EWL-PL-20216	24" x 41.57" / 609.6 x 1055.88mm
Hexagon	EWL-HEX-20216	20.8" x 24" / 527.9 x 609.6mm
Chevron, left	EWL-CHL-20216	8" x 24" / 203.2 x 609.6mm
Chevron, right	EWL-CHR-20216	8" x 24" / 203.2 x 609.6mm

20217 Toasted Wheat

Square	EWL-S-20217	24" x 24" / 609.6 x 609.6mm
Plank	EWL-P-20217	6" x 36" / 152.3 x 914.4mm
Parallelogram	EWL-PL-20217	24" x 41.57" / 609.6 x 1055.88mm
Hexagon	EWL-HEX-20217	20.8" x 24" / 527.9 x 609.6mm
Chevron, left	EWL-CHL-20217	8" x 24" / 203.2 x 609.6mm
Chevron, right	EWL-CHR-20217	8" x 24" / 203.2 x 609.6mm

Elements, 0.197" / 5mm thickness

<i>Color</i>	<i>Shape</i>	<i>SKU</i>	<i>Tile Size</i>
1611 Charcoal			
	Square	ELL-S-1611	24" x 24" / 609.6 x 609.6mm
	Parallelogram	ELL-PL-1611	24" x 41.57" / 609.6 x 1055.88mm
	Hexagon	ELL-HEX-1611	20.8" x 24" / 527.9 x 609.6mm
	Chevron, left	ELL-CHL-1611	8" x 24" / 203.2 x 609.6mm
	Chevron, right	ELL-CHR-1611	8" x 24" / 203.2 x 609.6mm
1612 Nickel			
	Square	ELL-S-1612	24" x 24" / 609.6 x 609.6mm
	Parallelogram	ELL-PL-1612	24" x 41.57" / 609.6 x 1055.88mm
	Hexagon	ELL-HEX-1612	20.8" x 24" / 527.9 x 609.6mm
	Chevron, left	ELL-CHL-1612	8" x 24" / 203.2 x 609.6mm
	Chevron, right	ELL-CHR-1612	8" x 24" / 203.2 x 609.6mm
1613 Espresso			
	Square	ELL-S-1613	24" x 24" / 609.6 x 609.6mm
	Parallelogram	ELL-PL-1613	24" x 41.57" / 609.6 x 1055.88mm
	Hexagon	ELL-HEX-1613	20.8" x 24" / 527.9 x 609.6mm
	Chevron, left	ELL-CHL-1613	8" x 24" / 203.2 x 609.6mm
	Chevron, right	ELL-CHR-1613	8" x 24" / 203.2 x 609.6mm
1615 Clay			
	Square	ELL-S-1615	24" x 24" / 609.6 x 609.6mm
	Parallelogram	ELL-PL-1615	24" x 41.57" / 609.6 x 1055.88mm
	Hexagon	ELL-HEX-1615	20.8" x 24" / 527.9 x 609.6mm
	Chevron, left	ELL-CHL-1615	8" x 24" / 203.2 x 609.6mm
	Chevron, right	ELL-CHR-1615	8" x 24" / 203.2 x 609.6mm
1616 Parchment			
	Square	ELL-S-1616	24" x 24" / 609.6 x 609.6mm
	Parallelogram	ELL-PL-1616	24" x 41.57" / 609.6 x 1055.88mm
	Hexagon	ELL-HEX-1616	20.8" x 24" / 527.9 x 609.6mm
	Chevron, left	ELL-CHL-1616	8" x 24" / 203.2 x 609.6mm
	Chevron, right	ELL-CHR-1616	8" x 24" / 203.2 x 609.6mm
1617 Sea Pearl			
	Square	ELL-S-1617	24" x 24" / 609.6 x 609.6mm
	Parallelogram	ELL-PL-1617	24" x 41.57" / 609.6 x 1055.88mm
	Hexagon	ELL-HEX-1617	20.8" x 24" / 527.9 x 609.6mm
	Chevron, left	ELL-CHL-1617	8" x 24" / 203.2 x 609.6mm
	Chevron, right	ELL-CHR-1617	8" x 24" / 203.2 x 609.6mm
Hammered Aluminum, 0.197" / 5mm thickness			
<i>Color</i>	<i>Shape</i>	<i>SKU</i>	<i>Tile Size</i>
5011 Meditteranee			
	Square	HAL-S-5011	24" x 24" / 609.6 x 609.6mm
	Parallelogram	HAL-PL-5011	24" x 41.57" / 609.6 x 1055.88mm
	Hexagon	HAL-HEX-5011	20.8" x 24" / 527.9 x 609.6mm
	Chevron, left	HAL-CHL-5011	8" x 24" / 203.2 x 609.6mm
	Chevron, right	HAL-CHR-5011	8" x 24" / 203.2 x 609.6mm

5013 Gunmetal

Square	HAL-S-5013	24" x 24" / 609.6 x 609.6mm
Parallelogram	HAL-PL-5013	24" x 41.57" / 609.6 x 1055.88mm
Hexagon	HAL-HEX-5013	20.8" x 24" / 527.9 x 609.6mm
Chevron, left	HAL-CHL-5013	8" x 24" / 203.2 x 609.6mm
Chevron, right	HAL-CHR-5013	8" x 24" / 203.2 x 609.6mm

5014 Armour

Square	HAL-S-5014	24" x 24" / 609.6 x 609.6mm
Parallelogram	HAL-PL-5014	24" x 41.57" / 609.6 x 1055.88mm
Hexagon	HAL-HEX-5014	20.8" x 24" / 527.9 x 609.6mm
Chevron, left	HAL-CHL-5014	8" x 24" / 203.2 x 609.6mm
Chevron, right	HAL-CHR-5014	8" x 24" / 203.2 x 609.6mm

5015 Tulip

Square	HAL-S-5015	24" x 24" / 609.6 x 609.6mm
Parallelogram	HAL-PL-5015	24" x 41.57" / 609.6 x 1055.88mm
Hexagon	HAL-HEX-5015	20.8" x 24" / 527.9 x 609.6mm
Chevron, left	HAL-CHL-5015	8" x 24" / 203.2 x 609.6mm
Chevron, right	HAL-CHR-5015	8" x 24" / 203.2 x 609.6mm

5016 Cedar Rose

Square	HAL-S-5016	24" x 24" / 609.6 x 609.6mm
Parallelogram	HAL-PL-5016	24" x 41.57" / 609.6 x 1055.88mm
Hexagon	HAL-HEX-5016	20.8" x 24" / 527.9 x 609.6mm
Chevron, left	HAL-CHL-5016	8" x 24" / 203.2 x 609.6mm
Chevron, right	HAL-CHR-5016	8" x 24" / 203.2 x 609.6mm

5017 Black

Square	HAL-S-5017	24" x 24" / 609.6 x 609.6mm
Parallelogram	HAL-PL-5017	24" x 41.57" / 609.6 x 1055.88mm
Hexagon	HAL-HEX-5017	20.8" x 24" / 527.9 x 609.6mm
Chevron, left	HAL-CHL-5017	8" x 24" / 203.2 x 609.6mm
Chevron, right	HAL-CHR-5017	8" x 24" / 203.2 x 609.6mm

5019 Copper

Square	HAL-S-5019	24" x 24" / 609.6 x 609.6mm
Parallelogram	HAL-PL-5019	24" x 41.57" / 609.6 x 1055.88mm
Hexagon	HAL-HEX-5019	20.8" x 24" / 527.9 x 609.6mm
Chevron, left	HAL-CHL-5019	8" x 24" / 203.2 x 609.6mm
Chevron, right	HAL-CHR-5019	8" x 24" / 203.2 x 609.6mm

5022 White

Square	HAL-S-5022	24" x 24" / 609.6 x 609.6mm
Parallelogram	HAL-PL-5022	24" x 41.57" / 609.6 x 1055.88mm
Hexagon	HAL-HEX-5022	20.8" x 24" / 527.9 x 609.6mm
Chevron, left	HAL-CHL-5022	8" x 24" / 203.2 x 609.6mm
Chevron, right	HAL-CHR-5022	8" x 24" / 203.2 x 609.6mm

5023 Canary

Square	HAL-S-5023	24" x 24" / 609.6 x 609.6mm
Parallelogram	HAL-PL-5023	24" x 41.57" / 609.6 x 1055.88mm
Hexagon	HAL-HEX-5023	20.8" x 24" / 527.9 x 609.6mm
Chevron, left	HAL-CHL-5023	8" x 24" / 203.2 x 609.6mm
Chevron, right	HAL-CHR-5023	8" x 24" / 203.2 x 609.6mm

Healthcare Wood, 0.197" / 5mm thickness

Color	Shape	SKU	Tile Size
18128 American Walnut			
	Square	HCL-S-18128	24" x 24" / 609.6 x 609.6mm
	Plank	HCL-P-18128	6" x 48" / 152.3 x 1219.2mm
	Parallelogram	HCL-PL-18128	24" x 41.57" / 609.6 x 1055.88mm
	Hexagon	HCL-HEX-18128	20.8" x 24" / 527.9 x 609.6mm
	Chevron, left	HCL-CHL-18128	8" x 24" / 203.2 x 609.6mm
	Chevron, right	HCL-CHR-18128	8" x 24" / 203.2 x 609.6mm
22110 Marillian			
	Square	HCL-S-22110	24" x 24" / 609.6 x 609.6mm
	Plank	HCL-P-22110	6" x 48" / 152.3 x 1219.2mm
	Parallelogram	HCL-PL-22110	24" x 41.57" / 609.6 x 1055.88mm
	Hexagon	HCL-HEX-22110	20.8" x 24" / 527.9 x 609.6mm
	Chevron, left	HCL-CHL-22110	8" x 24" / 203.2 x 609.6mm
	Chevron, right	HCL-CHR-22110	8" x 24" / 203.2 x 609.6mm
22311 Tawny			
	Square	HCL-S-22311	24" x 24" / 609.6 x 609.6mm
	Plank	HCL-P-22311	6" x 48" / 152.3 x 1219.2mm
	Parallelogram	HCL-PL-22311	24" x 41.57" / 609.6 x 1055.88mm
	Hexagon	HCL-HEX-22311	20.8" x 24" / 527.9 x 609.6mm
	Chevron, left	HCL-CHL-22311	8" x 24" / 203.2 x 609.6mm
	Chevron, right	HCL-CHR-22311	8" x 24" / 203.2 x 609.6mm
22319 Xanadu			
	Square	HCL-S-22319	24" x 24" / 609.6 x 609.6mm
	Plank	HCL-P-22319	6" x 48" / 152.3 x 1219.2mm
	Parallelogram	HCL-PL-22319	24" x 41.57" / 609.6 x 1055.88mm
	Hexagon	HCL-HEX-22319	20.8" x 24" / 527.9 x 609.6mm
	Chevron, left	HCL-CHL-22319	8" x 24" / 203.2 x 609.6mm
	Chevron, right	HCL-CHR-22319	8" x 24" / 203.2 x 609.6mm
22411 Brazilian Cherry			
	Square	HCL-S-22411	24" x 24" / 609.6 x 609.6mm
	Plank	HCL-P-22411	6" x 48" / 152.3 x 1219.2mm
	Parallelogram	HCL-PL-22411	24" x 41.57" / 609.6 x 1055.88mm
	Hexagon	HCL-HEX-22411	20.8" x 24" / 527.9 x 609.6mm
	Chevron, left	HCL-CHL-22411	8" x 24" / 203.2 x 609.6mm
	Chevron, right	HCL-CHR-22411	8" x 24" / 203.2 x 609.6mm
22418 Merbau			
	Square	HCL-S-22418	24" x 24" / 609.6 x 609.6mm
	Plank	HCL-P-22418	6" x 48" / 152.3 x 1219.2mm
	Parallelogram	HCL-PL-22418	24" x 41.57" / 609.6 x 1055.88mm
	Hexagon	HCL-HEX-22418	20.8" x 24" / 527.9 x 609.6mm
	Chevron, left	HCL-CHL-22418	8" x 24" / 203.2 x 609.6mm
	Chevron, right	HCL-CHR-22418	8" x 24" / 203.2 x 609.6mm
22511 Silver Oak			
	Square	HCL-S-22511	24" x 24" / 609.6 x 609.6mm
	Plank	HCL-P-22511	6" x 48" / 152.3 x 1219.2mm
	Parallelogram	HCL-PL-22511	24" x 41.57" / 609.6 x 1055.88mm
	Hexagon	HCL-HEX-22511	20.8" x 24" / 527.9 x 609.6mm
	Chevron, left	HCL-CHL-22511	8" x 24" / 203.2 x 609.6mm
	Chevron, right	HCL-CHR-22511	8" x 24" / 203.2 x 609.6mm

22516 Burnt Almond

Square	HCL-S-22516	24" x 24" / 609.6 x 609.6mm
Plank	HCL-P-22516	6" x 48" / 152.3 x 1219.2mm
Parallelogram	HCL-PL-22516	24" x 41.57" / 609.6 x 1055.88mm
Hexagon	HCL-HEX-22516	20.8" x 24" / 527.9 x 609.6mm
Chevron, left	HCL-CHL-22516	8" x 24" / 203.2 x 609.6mm
Chevron, right	HCL-CHR-22516	8" x 24" / 203.2 x 609.6mm

22517 Pinecone

Square	HCL-S-22517	24" x 24" / 609.6 x 609.6mm
Plank	HCL-P-22517	6" x 48" / 152.3 x 1219.2mm
Parallelogram	HCL-PL-22517	24" x 41.57" / 609.6 x 1055.88mm
Hexagon	HCL-HEX-22517	20.8" x 24" / 527.9 x 609.6mm
Chevron, left	HCL-CHL-22517	8" x 24" / 203.2 x 609.6mm
Chevron, right	HCL-CHR-22517	8" x 24" / 203.2 x 609.6mm

22519 Light Oak

Square	HCL-S-22519	24" x 24" / 609.6 x 609.6mm
Plank	HCL-P-22519	6" x 48" / 152.3 x 1219.2mm
Parallelogram	HCL-PL-22519	24" x 41.57" / 609.6 x 1055.88mm
Hexagon	HCL-HEX-22519	20.8" x 24" / 527.9 x 609.6mm
Chevron, left	HCL-CHL-22519	8" x 24" / 203.2 x 609.6mm
Chevron, right	HCL-CHR-22519	8" x 24" / 203.2 x 609.6mm

22713 Beech

Square	HCL-S-22713	24" x 24" / 609.6 x 609.6mm
Plank	HCL-P-22713	6" x 48" / 152.3 x 1219.2mm
Parallelogram	HCL-PL-22713	24" x 41.57" / 609.6 x 1055.88mm
Hexagon	HCL-HEX-22713	20.8" x 24" / 527.9 x 609.6mm
Chevron, left	HCL-CHL-22713	8" x 24" / 203.2 x 609.6mm
Chevron, right	HCL-CHR-22713	8" x 24" / 203.2 x 609.6mm

22718 Castanho

Square	HCL-S-22718	24" x 24" / 609.6 x 609.6mm
Plank	HCL-P-22718	6" x 48" / 152.3 x 1219.2mm
Parallelogram	HCL-PL-22718	24" x 41.57" / 609.6 x 1055.88mm
Hexagon	HCL-HEX-22718	20.8" x 24" / 527.9 x 609.6mm
Chevron, left	HCL-CHL-22718	8" x 24" / 203.2 x 609.6mm
Chevron, right	HCL-CHR-22718	8" x 24" / 203.2 x 609.6mm

56111 Boardwalk

Square	HCL-S-56111	24" x 24" / 609.6 x 609.6mm
Plank	HCL-P-56111	6" x 48" / 152.3 x 1219.2mm
Parallelogram	HCL-PL-56111	24" x 41.57" / 609.6 x 1055.88mm
Hexagon	HCL-HEX-56111	20.8" x 24" / 527.9 x 609.6mm
Chevron, left	HCL-CHL-56111	8" x 24" / 203.2 x 609.6mm
Chevron, right	HCL-CHR-56111	8" x 24" / 203.2 x 609.6mm

Natural Woods, 0.197" / 5mm thickness

Color	Shape	SKU	Tile Size
50204 Golden Oak			
	Square	NWL-S-50204	24" x 24" / 609.6 x 609.6mm
	Plank	NWL-P-50204	6" x 36" / 152.3 x 914.4mm
	Parallelogram	NWL-PL-50204	24" x 41.57" / 609.6 x 1055.88mm
	Hexagon	NWL-HEX-50204	20.8" x 24" / 527.9 x 609.6mm
	Chevron, left	NWL-CHL-50204	8" x 24" / 203.2 x 609.6mm
	Chevron, right	NWL-CHR-50204	8" x 24" / 203.2 x 609.6mm

50209 Vintage Brown

Square	NWL-S-50209	24" x 24" / 609.6 x 609.6mm
Plank	NWL-P-50209	6" x 36" / 152.3 x 914.4mm
Parallelogram	NWL-PL-50209	24" x 41.57" / 609.6 x 1055.88mm
Hexagon	NWL-HEX-50209	20.8" x 24" / 527.9 x 609.6mm
Chevron, left	NWL-CHL-50209	8" x 24" / 203.2 x 609.6mm
Chevron, right	NWL-CHR-50209	8" x 24" / 203.2 x 609.6mm

50216 Russet

Square	NWL-S-50216	24" x 24" / 609.6 x 609.6mm
Plank	NWL-P-50216	6" x 36" / 152.3 x 914.4mm
Parallelogram	NWL-PL-50216	24" x 41.57" / 609.6 x 1055.88mm
Hexagon	NWL-HEX-50216	20.8" x 24" / 527.9 x 609.6mm
Chevron, left	NWL-CHL-50216	8" x 24" / 203.2 x 609.6mm
Chevron, right	NWL-CHR-50216	8" x 24" / 203.2 x 609.6mm

50218 Dusty

Square	NWL-S-50218	24" x 24" / 609.6 x 609.6mm
Plank	NWL-P-50218	6" x 36" / 152.3 x 914.4mm
Parallelogram	NWL-PL-50218	24" x 41.57" / 609.6 x 1055.88mm
Hexagon	NWL-HEX-50218	20.8" x 24" / 527.9 x 609.6mm
Chevron, left	NWL-CHL-50218	8" x 24" / 203.2 x 609.6mm
Chevron, right	NWL-CHR-50218	8" x 24" / 203.2 x 609.6mm

50222 Cottage

Square	NWL-S-50222	24" x 24" / 609.6 x 609.6mm
Plank	NWL-P-50222	6" x 36" / 152.3 x 914.4mm
Parallelogram	NWL-PL-50222	24" x 41.57" / 609.6 x 1055.88mm
Hexagon	NWL-HEX-50222	20.8" x 24" / 527.9 x 609.6mm
Chevron, left	NWL-CHL-50222	8" x 24" / 203.2 x 609.6mm
Chevron, right	NWL-CHR-50222	8" x 24" / 203.2 x 609.6mm

50231 Prailine

Square	NWL-S-50231	24" x 24" / 609.6 x 609.6mm
Plank	NWL-P-50231	6" x 36" / 152.3 x 914.4mm
Parallelogram	NWL-PL-50231	24" x 41.57" / 609.6 x 1055.88mm
Hexagon	NWL-HEX-50231	20.8" x 24" / 527.9 x 609.6mm
Chevron, left	NWL-CHL-50231	8" x 24" / 203.2 x 609.6mm
Chevron, right	NWL-CHR-50231	8" x 24" / 203.2 x 609.6mm

50235 Antique

Square	NWL-S-50235	24" x 24" / 609.6 x 609.6mm
Plank	NWL-P-50235	6" x 36" / 152.3 x 914.4mm
Parallelogram	NWL-PL-50235	24" x 41.57" / 609.6 x 1055.88mm
Hexagon	NWL-HEX-50235	20.8" x 24" / 527.9 x 609.6mm
Chevron, left	NWL-CHL-50235	8" x 24" / 203.2 x 609.6mm
Chevron, right	NWL-CHR-50235	8" x 24" / 203.2 x 609.6mm

Rusted Steel, 0.197" / 5mm thickness

<i>Color</i>	<i>Shape</i>	<i>SKU</i>	<i>Tile Size</i>
22812 Rusted Steel Light			
	Square	RSL-S-22812	24" x 24" / 609.6 x 609.6mm
	Parallelogram	RSL-PL-22812	24" x 41.57" / 609.6 x 1055.88mm
	Hexagon	RSL-HEX-22812	20.8" x 24" / 527.9 x 609.6mm
	Chevron, left	RSL-CHL-22812	8" x 24" / 203.2 x 609.6mm
	Chevron, right	RSL-CHR-22812	8" x 24" / 203.2 x 609.6mm

22813 Rusted Steel Dark

Square	RSL-S-22813	24" x 24" / 609.6 x 609.6mm
Parallelogram	RSL-PL-22813	24" x 41.57" / 609.6 x 1055.88mm
Hexagon	RSL-HEX-22813	20.8" x 24" / 527.9 x 609.6mm
Chevron, left	RSL-CHL-22813	8" x 24" / 203.2 x 609.6mm
Chevron, right	RSL-CHR-22813	8" x 24" / 203.2 x 609.6mm

Solids, 0.197" / 5mm thickness

<i>Color</i>	<i>Shape</i>	<i>SKU</i>	<i>Tile Size</i>
8001 Tangerine	Square	SDL-S-8001	24" x 24" / 609.6 x 609.6mm
	Parallelogram	SDL-PL-8001	24" x 41.57" / 609.6 x 1055.88mm
	Hexagon	SDL-HEX-8001	20.8" x 24" / 527.9 x 609.6mm
	Chevron, left	SDL-CHL-8001	8" x 24" / 203.2 x 609.6mm
	Chevron, right	SDL-CHR-8001	8" x 24" / 203.2 x 609.6mm
8002 School Bus Yellow	Square	SDL-S-8002	24" x 24" / 609.6 x 609.6mm
	Parallelogram	SDL-PL-8002	24" x 41.57" / 609.6 x 1055.88mm
	Hexagon	SDL-HEX-8002	20.8" x 24" / 527.9 x 609.6mm
	Chevron, left	SDL-CHL-8002	8" x 24" / 203.2 x 609.6mm
	Chevron, right	SDL-CHR-8002	8" x 24" / 203.2 x 609.6mm
8003 Pistachio	Square	SDL-S-8003	24" x 24" / 609.6 x 609.6mm
	Parallelogram	SDL-PL-8003	24" x 41.57" / 609.6 x 1055.88mm
	Hexagon	SDL-HEX-8003	20.8" x 24" / 527.9 x 609.6mm
	Chevron, left	SDL-CHL-8003	8" x 24" / 203.2 x 609.6mm
	Chevron, right	SDL-CHR-8003	8" x 24" / 203.2 x 609.6mm
8004 Raspberry	Square	SDL-S-8004	24" x 24" / 609.6 x 609.6mm
	Parallelogram	SDL-PL-8004	24" x 41.57" / 609.6 x 1055.88mm
	Hexagon	SDL-HEX-8004	20.8" x 24" / 527.9 x 609.6mm
	Chevron, left	SDL-CHL-8004	8" x 24" / 203.2 x 609.6mm
	Chevron, right	SDL-CHR-8004	8" x 24" / 203.2 x 609.6mm
8005 Frosty	Square	SDL-S-8005	24" x 24" / 609.6 x 609.6mm
	Parallelogram	SDL-PL-8005	24" x 41.57" / 609.6 x 1055.88mm
	Hexagon	SDL-HEX-8005	20.8" x 24" / 527.9 x 609.6mm
	Chevron, left	SDL-CHL-8005	8" x 24" / 203.2 x 609.6mm
	Chevron, right	SDL-CHR-8005	8" x 24" / 203.2 x 609.6mm
8006 Mountbatten Blue	Square	SDL-S-8006	24" x 24" / 609.6 x 609.6mm
	Parallelogram	SDL-PL-8006	24" x 41.57" / 609.6 x 1055.88mm
	Hexagon	SDL-HEX-8006	20.8" x 24" / 527.9 x 609.6mm
	Chevron, left	SDL-CHL-8006	8" x 24" / 203.2 x 609.6mm
	Chevron, right	SDL-CHR-8006	8" x 24" / 203.2 x 609.6mm
8007 Wisteria	Square	SDL-S-8007	24" x 24" / 609.6 x 609.6mm
	Parallelogram	SDL-PL-8007	24" x 41.57" / 609.6 x 1055.88mm
	Hexagon	SDL-HEX-8007	20.8" x 24" / 527.9 x 609.6mm
	Chevron, left	SDL-CHL-8007	8" x 24" / 203.2 x 609.6mm
	Chevron, right	SDL-CHR-8007	8" x 24" / 203.2 x 609.6mm

8008 Plum

Square	SDL-S-8008	24" x 24" / 609.6 x 609.6mm
Parallelogram	SDL-PL-8008	24" x 41.57" / 609.6 x 1055.88mm
Hexagon	SDL-HEX-8008	20.8" x 24" / 527.9 x 609.6mm
Chevron, left	SDL-CHL-8008	8" x 24" / 203.2 x 609.6mm
Chevron, right	SDL-CHR-8008	8" x 24" / 203.2 x 609.6mm

8009 Poppy Seed

Square	SDL-S-8009	24" x 24" / 609.6 x 609.6mm
Parallelogram	SDL-PL-8009	24" x 41.57" / 609.6 x 1055.88mm
Hexagon	SDL-HEX-8009	20.8" x 24" / 527.9 x 609.6mm
Chevron, left	SDL-CHL-8009	8" x 24" / 203.2 x 609.6mm
Chevron, right	SDL-CHR-8009	8" x 24" / 203.2 x 609.6mm

8010 Jet Black

Square	SDL-S-8010	24" x 24" / 609.6 x 609.6mm
Parallelogram	SDL-PL-8010	24" x 41.57" / 609.6 x 1055.88mm
Hexagon	SDL-HEX-8010	20.8" x 24" / 527.9 x 609.6mm
Chevron, left	SDL-CHL-8010	8" x 24" / 203.2 x 609.6mm
Chevron, right	SDL-CHR-8010	8" x 24" / 203.2 x 609.6mm

8011 Latte White

Square	SDL-S-8011	24" x 24" / 609.6 x 609.6mm
Parallelogram	SDL-PL-8011	24" x 41.57" / 609.6 x 1055.88mm
Hexagon	SDL-HEX-8011	20.8" x 24" / 527.9 x 609.6mm
Chevron, left	SDL-CHL-8011	8" x 24" / 203.2 x 609.6mm
Chevron, right	SDL-CHR-8011	8" x 24" / 203.2 x 609.6mm

8012 Sangria

Square	SDL-S-8012	24" x 24" / 609.6 x 609.6mm
Parallelogram	SDL-PL-8012	24" x 41.57" / 609.6 x 1055.88mm
Hexagon	SDL-HEX-8012	20.8" x 24" / 527.9 x 609.6mm
Chevron, left	SDL-CHL-8012	8" x 24" / 203.2 x 609.6mm
Chevron, right	SDL-CHR-8012	8" x 24" / 203.2 x 609.6mm

8013 Ecru

Square	SDL-S-8013	24" x 24" / 609.6 x 609.6mm
Parallelogram	SDL-PL-8013	24" x 41.57" / 609.6 x 1055.88mm
Hexagon	SDL-HEX-8013	20.8" x 24" / 527.9 x 609.6mm
Chevron, left	SDL-CHL-8013	8" x 24" / 203.2 x 609.6mm
Chevron, right	SDL-CHR-8013	8" x 24" / 203.2 x 609.6mm

Sparkly Chips, 0.197" / 5mm thickness

Color	Shape	SKU	Tile Size
11 Blue	Square	SCL-S-11	24" x 24" / 609.6 x 609.6mm
	Parallelogram	SCL-PL-11	24" x 41.57" / 609.6 x 1055.88mm
	Hexagon	SCL-HEX-11	20.8" x 24" / 527.9 x 609.6mm
	Chevron, left	SCL-CHL-11	8" x 24" / 203.2 x 609.6mm
	Chevron, right	SCL-CHR-11	8" x 24" / 203.2 x 609.6mm
12 Green	Square	SCL-S-12	24" x 24" / 609.6 x 609.6mm
	Parallelogram	SCL-PL-12	24" x 41.57" / 609.6 x 1055.88mm
	Hexagon	SCL-HEX-12	20.8" x 24" / 527.9 x 609.6mm
	Chevron, left	SCL-CHL-12	8" x 24" / 203.2 x 609.6mm
	Chevron, right	SCL-CHR-12	8" x 24" / 203.2 x 609.6mm

16 Red

Square	SCL-S-16	24" x 24" / 609.6 x 609.6mm
Parallelogram	SCL-PL-16	24" x 41.57" / 609.6 x 1055.88mm
Hexagon	SCL-HEX-16	20.8" x 24" / 527.9 x 609.6mm
Chevron, left	SCL-CHL-16	8" x 24" / 203.2 x 609.6mm
Chevron, right	SCL-CHR-16	8" x 24" / 203.2 x 609.6mm

17 Black

Square	SCL-S-17	24" x 24" / 609.6 x 609.6mm
Parallelogram	SCL-PL-17	24" x 41.57" / 609.6 x 1055.88mm
Hexagon	SCL-HEX-17	20.8" x 24" / 527.9 x 609.6mm
Chevron, left	SCL-CHL-17	8" x 24" / 203.2 x 609.6mm
Chevron, right	SCL-CHR-17	8" x 24" / 203.2 x 609.6mm

21 White

Square	SCL-S-21	24" x 24" / 609.6 x 609.6mm
Parallelogram	SCL-PL-21	24" x 41.57" / 609.6 x 1055.88mm
Hexagon	SCL-HEX-21	20.8" x 24" / 527.9 x 609.6mm
Chevron, left	SCL-CHL-21	8" x 24" / 203.2 x 609.6mm
Chevron, right	SCL-CHR-21	8" x 24" / 203.2 x 609.6mm

23 Yellow

Square	SCL-S-23	24" x 24" / 609.6 x 609.6mm
Parallelogram	SCL-PL-23	24" x 41.57" / 609.6 x 1055.88mm
Hexagon	SCL-HEX-23	20.8" x 24" / 527.9 x 609.6mm
Chevron, left	SCL-CHL-23	8" x 24" / 203.2 x 609.6mm
Chevron, right	SCL-CHR-23	8" x 24" / 203.2 x 609.6mm

Stained Concrete, 0.197" / 5mm thickness

<i>Color</i>	<i>Shape</i>	<i>SKU</i>	<i>Tile Size</i>
2191 Georgian Brick			
	Square	STCL-S-2191	24" x 24" / 609.6 x 609.6mm
	Parallelogram	STCL-PL-2191	24" x 41.57" / 609.6 x 1055.88mm
	Hexagon	STCL-HEX-2191	20.8" x 24" / 527.9 x 609.6mm
	Chevron, left	STCL-CHL-2191	8" x 24" / 203.2 x 609.6mm
	Chevron, right	STCL-CHR-2191	8" x 24" / 203.2 x 609.6mm
2193 Coral Troya			
	Square	STCL-S-2193	24" x 24" / 609.6 x 609.6mm
	Parallelogram	STCL-PL-2193	24" x 41.57" / 609.6 x 1055.88mm
	Hexagon	STCL-HEX-2193	20.8" x 24" / 527.9 x 609.6mm
	Chevron, left	STCL-CHL-2193	8" x 24" / 203.2 x 609.6mm
	Chevron, right	STCL-CHR-2193	8" x 24" / 203.2 x 609.6mm
2194 Chai			
	Square	STCL-S-2194	24" x 24" / 609.6 x 609.6mm
	Parallelogram	STCL-PL-2194	24" x 41.57" / 609.6 x 1055.88mm
	Hexagon	STCL-HEX-2194	20.8" x 24" / 527.9 x 609.6mm
	Chevron, left	STCL-CHL-2194	8" x 24" / 203.2 x 609.6mm
	Chevron, right	STCL-CHR-2194	8" x 24" / 203.2 x 609.6mm
2195 Pepper Sand			
	Square	STCL-S-2195	24" x 24" / 609.6 x 609.6mm
	Parallelogram	STCL-PL-2195	24" x 41.57" / 609.6 x 1055.88mm
	Hexagon	STCL-HEX-2195	20.8" x 24" / 527.9 x 609.6mm
	Chevron, left	STCL-CHL-2195	8" x 24" / 203.2 x 609.6mm
	Chevron, right	STCL-CHR-2195	8" x 24" / 203.2 x 609.6mm

Tadao & Ando, 0.197" / 5mm thickness

<i>Color</i>	<i>Shape</i>	<i>SKU</i>	<i>Tile Size</i>
22614 Tadao			
	Square	TDL-S-22614	24" x 24" / 609.6 x 609.6mm
	Parallelogram	TDL-PL-22614	24" x 41.57" / 609.6 x 1055.88mm
	Hexagon	TDL-HEX-22614	20.8" x 24" / 527.9 x 609.6mm
	Chevron, left	TDL-CHL-22614	8" x 24" / 203.2 x 609.6mm
	Chevron, right	TDL-CHR-22614	8" x 24" / 203.2 x 609.6mm
22618 Ando			
	Square	ANL-S-22618	24" x 24" / 609.6 x 609.6mm
	Parallelogram	ANL-PL-22618	24" x 41.57" / 609.6 x 1055.88mm
	Hexagon	ANL-HEX-22618	20.8" x 24" / 527.9 x 609.6mm
	Chevron, left	ANL-CHL-22618	8" x 24" / 203.2 x 609.6mm
	Chevron, right	ANL-CHR-22618	8" x 24" / 203.2 x 609.6mm

Tread Plate, 0.197" / 5mm thickness

<i>Color</i>	<i>Shape</i>	<i>SKU</i>	<i>Tile Size</i>
5011 Mediterraneane			
	Square	TPL-S-5011	24" x 24" / 609.6 x 609.6mm
	Parallelogram	TPL-PL-5011	24" x 41.57" / 609.6 x 1055.88mm
	Hexagon	TPL-HEX-5011	20.8" x 24" / 527.9 x 609.6mm
	Chevron, left	TPL-CHL-5011	8" x 24" / 203.2 x 609.6mm
	Chevron, right	TPL-CHR-5011	8" x 24" / 203.2 x 609.6mm
5013 Gunmetal			
	Square	TPL-S-5013	24" x 24" / 609.6 x 609.6mm
	Parallelogram	TPL-PL-5013	24" x 41.57" / 609.6 x 1055.88mm
	Hexagon	TPL-HEX-5013	20.8" x 24" / 527.9 x 609.6mm
	Chevron, left	TPL-CHL-5013	8" x 24" / 203.2 x 609.6mm
	Chevron, right	TPL-CHR-5013	8" x 24" / 203.2 x 609.6mm
5014 Armour			
	Square	TPL-S-5014	24" x 24" / 609.6 x 609.6mm
	Parallelogram	TPL-PL-5014	24" x 41.57" / 609.6 x 1055.88mm
	Hexagon	TPL-HEX-5014	20.8" x 24" / 527.9 x 609.6mm
	Chevron, left	TPL-CHL-5014	8" x 24" / 203.2 x 609.6mm
	Chevron, right	TPL-CHR-5014	8" x 24" / 203.2 x 609.6mm
5015 Tulip			
	Square	TPL-S-5015	24" x 24" / 609.6 x 609.6mm
	Parallelogram	TPL-PL-5015	24" x 41.57" / 609.6 x 1055.88mm
	Hexagon	TPL-HEX-5015	20.8" x 24" / 527.9 x 609.6mm
	Chevron, left	TPL-CHL-5015	8" x 24" / 203.2 x 609.6mm
	Chevron, right	TPL-CHR-5015	8" x 24" / 203.2 x 609.6mm
5016 Cedar Rose			
	Square	TPL-S-5016	24" x 24" / 609.6 x 609.6mm
	Parallelogram	TPL-PL-5016	24" x 41.57" / 609.6 x 1055.88mm
	Hexagon	TPL-HEX-5016	20.8" x 24" / 527.9 x 609.6mm
	Chevron, left	TPL-CHL-5016	8" x 24" / 203.2 x 609.6mm
	Chevron, right	TPL-CHR-5016	8" x 24" / 203.2 x 609.6mm
5019 Copper			
	Square	TPL-S-5019	24" x 24" / 609.6 x 609.6mm
	Parallelogram	TPL-PL-5019	24" x 41.57" / 609.6 x 1055.88mm
	Hexagon	TPL-HEX-5019	20.8" x 24" / 527.9 x 609.6mm
	Chevron, left	TPL-CHL-5019	8" x 24" / 203.2 x 609.6mm
	Chevron, right	TPL-CHR-5019	8" x 24" / 203.2 x 609.6mm

5023 Canary

Square	TPL-S-5023	24" x 24" / 609.6 x 609.6mm
Parallelogram	TPL-PL-5023	24" x 41.57" / 609.6 x 1055.88mm
Hexagon	TPL-HEX-5023	20.8" x 24" / 527.9 x 609.6mm
Chevron, left	TPL-CHL-5023	8" x 24" / 203.2 x 609.6mm
Chevron, right	TPL-CHR-5023	8" x 24" / 203.2 x 609.6mm

5025 Black

Square	TPL-S-5025	24" x 24" / 609.6 x 609.6mm
Parallelogram	TPL-PL-5025	24" x 41.57" / 609.6 x 1055.88mm
Hexagon	TPL-HEX-5025	20.8" x 24" / 527.9 x 609.6mm
Chevron, left	TPL-CHL-5025	8" x 24" / 203.2 x 609.6mm
Chevron, right	TPL-CHR-5025	8" x 24" / 203.2 x 609.6mm

Weathered Concrete, 0.197" / 5mm thickness

<i>Color</i>	<i>Shape</i>	<i>SKU</i>	<i>Tile Size</i>
21811 Northern Brown			
	Square	WCL-S-21811	24" x 24" / 609.6 x 609.6mm
	Plank	WCL-P-21811	6" x 48" / 152.3 x 1219.2mm
	Parallelogram	WCL-PL-21811	24" x 41.57" / 609.6 x 1055.88mm
	Hexagon	WCL-HEX-21811	20.8" x 24" / 527.9 x 609.6mm
	Chevron, left	WCL-CHL-21811	8" x 24" / 203.2 x 609.6mm
	Chevron, right	WCL-CHR-21811	8" x 24" / 203.2 x 609.6mm
21812 Canterbury			
	Square	WCL-S-21812	24" x 24" / 609.6 x 609.6mm
	Plank	WCL-P-21812	6" x 48" / 152.3 x 1219.2mm
	Parallelogram	WCL-PL-21812	24" x 41.57" / 609.6 x 1055.88mm
	Hexagon	WCL-HEX-21812	20.8" x 24" / 527.9 x 609.6mm
	Chevron, left	WCL-CHL-21812	8" x 24" / 203.2 x 609.6mm
	Chevron, right	WCL-CHR-21812	8" x 24" / 203.2 x 609.6mm
21813 Mahogany Blend			
	Square	WCL-S-21813	24" x 24" / 609.6 x 609.6mm
	Plank	WCL-P-21813	6" x 48" / 152.3 x 1219.2mm
	Parallelogram	WCL-PL-21813	24" x 41.57" / 609.6 x 1055.88mm
	Hexagon	WCL-HEX-21813	20.8" x 24" / 527.9 x 609.6mm
	Chevron, left	WCL-CHL-21813	8" x 24" / 203.2 x 609.6mm
	Chevron, right	WCL-CHR-21813	8" x 24" / 203.2 x 609.6mm
21814 Arcadia			
	Square	WCL-S-21814	24" x 24" / 609.6 x 609.6mm
	Plank	WCL-P-21814	6" x 48" / 152.3 x 1219.2mm
	Parallelogram	WCL-PL-21814	24" x 41.57" / 609.6 x 1055.88mm
	Hexagon	WCL-HEX-21814	20.8" x 24" / 527.9 x 609.6mm
	Chevron, left	WCL-CHL-21814	8" x 24" / 203.2 x 609.6mm
	Chevron, right	WCL-CHR-21814	8" x 24" / 203.2 x 609.6mm
21815 Weathered Grey			
	Square	WCL-S-21815	24" x 24" / 609.6 x 609.6mm
	Plank	WCL-P-21815	6" x 48" / 152.3 x 1219.2mm
	Parallelogram	WCL-PL-21815	24" x 41.57" / 609.6 x 1055.88mm
	Hexagon	WCL-HEX-21815	20.8" x 24" / 527.9 x 609.6mm
	Chevron, left	WCL-CHL-21815	8" x 24" / 203.2 x 609.6mm
	Chevron, right	WCL-CHR-21815	8" x 24" / 203.2 x 609.6mm

21816 Natural Grey

Square	WCL-S-21816	24" x 24" / 609.6 x 609.6mm
Plank	WCL-P-21816	6" x 48" / 152.3 x 1219.2mm
Parallelogram	WCL-PL-21816	24" x 41.57" / 609.6 x 1055.88mm
Hexagon	WCL-HEX-21816	20.8" x 24" / 527.9 x 609.6mm
Chevron, left	WCL-CHL-21816	8" x 24" / 203.2 x 609.6mm
Chevron, right	WCL-CHR-21816	8" x 24" / 203.2 x 609.6mm

PART 3 EXECUTION

3.01 EXAMINATION

- A. Comply with manufacturer's written instructions for acceptable substrate, preparation and installation of flooring.
- B. Verify that floor area is ready for installation.
- C. Verify field measurements are as shown on approved shop drawings. Notify Architect/Owner of discrepancies and await instructions.
- D. Test concrete substrates for water vapor emission harmful to flooring installation performance.

3.02 PREPARATION

- A. Protect adjacent work and finish surfaces from damage during flooring installation.
- B. Remove compounds and other substances harmful or incompatible with adhesives and flooring products.
- C. Fill holes, cracks and depressions in substrate with leveling and patching compounds in accordance with manufacturer's instructions.

3.03 INSTALLATION

- A. Install tile from established center marks in order that tiles at opposite room edges are of equal width.
- B. Install tiles in patterns shown on approved shop drawings.
- C. Hand roll floor tiles where required as recommended by manufacturer.
- D. Apply adhesive if necessary, as recommended by manufacturer, including trowel notching, adhesive mixing, and adhesive open and working times.

3.04 CLEANING

- A. Section 01 70 00 – Execution and Closeout Requirements: Final cleaning.
- B. Correct minor damage to installed products; remove and replace work that cannot be satisfactorily repaired.
- C. Clean installed floor in accordance with manufacturer's instructions prior to Owner's acceptance.
- D. Remove packaging and construction debris, and legally dispose of off-site.

END OF SECTION