

Loose Lay format

Transitioning between carpet tile and hard surfacing has never been simpler! And hard surface over raised access has been resolved.

LSI Loose Lay vinyl tiles and planks mimic carpet tile characteristics with a thickness of 0.197"/5mm. This uniformity eliminates any transitioning between the two materials. Lifting and replacing to access wiring beneath the floor is accomplished with a backing layer that grips the substrate. Additionally, the acoustic properties are enhanced, comfort under-foot increased, and installation made easier.

Virtually the entire LSI collection of over 160 patterns and colors is available in this format. The reconfigured designs offer a seemingly endless opportunity for creativity as hard and soft surfaces are matched and intermingled.

floors

LSI

Advantages:

Raised access flooring and temporary spaces - with the option of a non-adhesive installation, under-floor cabling and pipes remain accessible. Non-permanent areas are easily reconfigured or re-purposed.

Inter-play of materials - consistency in height between carpet tiles and LSI's Loose Lay tiles and planks increase function and creativity. Tiles may be embedded in the carpet as chair pads or transitioned seamlessly in doorways or corridor thresholds.

Sound dampening enhanced - increased acoustic properties reduce the amount of noise transfer between floors in high rise situations and help manage sound in open spaces.

Flexible in all applications - Product is well suited to heavy traffic, commercial use and rolling loads when used with a pressure sensitive adhesive. When Loose Lay is to be subjected to heavy rolling loads the direct glue down method is recommended.



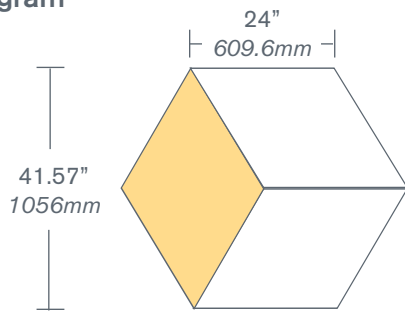
Loose Lay over raised access

Features:

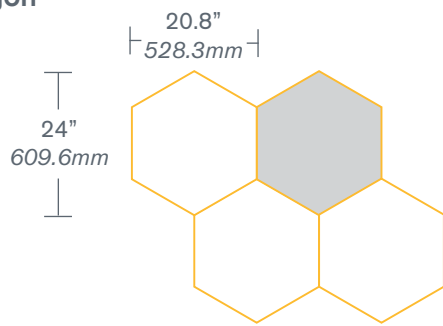
- Polyurethane reinforced (PUR) top surface for durability
- Resistant to scratches, abrasions, scuffing, soiling, and staining
- No waxing or polishing required to maintain the flooring. Easier on the environment and the maintenance budget
- Micron-size silver particulate technology ensures anti-microbial, anti-bacterial, and anti-fungal properties
- Proprietary technology and microscopic surface texturing combine to improve the tile's slip resistance when it counts the most, under wet conditions
- Cost effective and environmentally sensitive installation with reduced floor prep and minimal to no adhesive required
- Fully recyclable at the end of its useful life. We want it back!

Shapes. Loose Lay format is available in all shaped formats. Please reference listing on next page for full details.

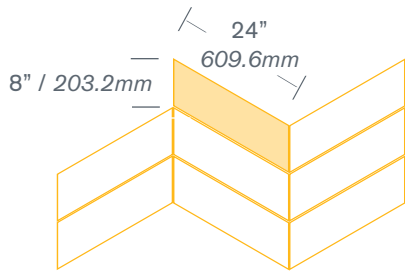
Parallelogram



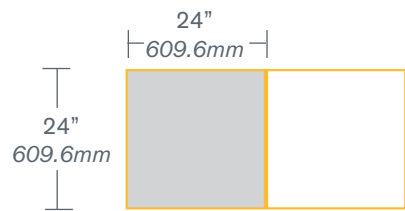
Hexagon



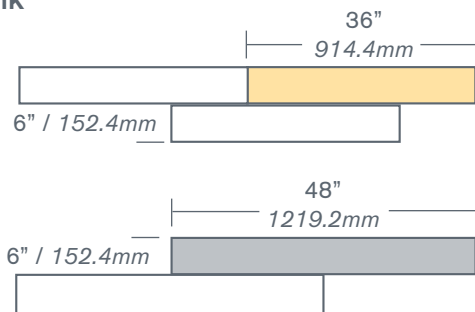
Chevron



Square



Plank



Parallelogram in Loose Lay format

Data Specification Information Loose Lay format is available in all LSI patterns listed below

Square	Tile size	Tile thickness	Edge type	Carton size	Pieces per carton	Weight per carton
Antique Woods, Bamboo, Clovelly CLL42511, CLL42512, CLL42516, Concrete, Cork, Cow, Earth Woods, Elements, Hammered Aluminum, Healthcare Wood, Natural Woods, Rusted Steel, Solids, Sparkly Chips, Stained Concrete, Tadao & Ando, Tread Plate, Weathered Concrete	24" x 24" / 609.6 x 609.6mm	0.197" / 5 mm	Straight	24 ft ² / 2.23m ²	6 squares	47.3 lb / 21.5 kg

Plank	Tile size	Tile thickness	Edge type	Carton size	Pieces per carton	Weight per carton
Antique Woods, Bamboo, Earth Woods, Natural Woods	6" x 36" / 152.3 x 914.4mm	0.197" / 5 mm	Straight	21 ft ² / 1.95m ²	14 planks	40.7 lb / 18.5 kg
Healthcare Wood Weathered Concrete	6" x 48" / 152.3 x 1219.2mm	0.197" / 5 mm	Straight	20 ft ² / 1.86m ²	10 planks	39.2 lb / 17.8 kg

Parallelogram	Tile size	Tile thickness	Edge type	Carton size	Pieces per carton	Weight per carton
	24" x 41.57" / 609.6 x 1056mm	0.197" / 5 mm	Straight	10.4 ft ² / 0.965m ²	3 pieces	21.5 lb / 9.8 kg
Hexagon	Tile size	Tile thickness	Edge type	Carton size	Pieces per carton	Weight per carton
	20.8" x 24" / 527.9 x 609.6mm	0.197" / 5 mm	Straight	15.6 ft ² / 1.45m ²	6 pieces	30.8 lb / 14 kg
Chevron	Tile size	Tile thickness	Edge type	Carton size	Pieces per carton	Weight per carton
	8" x 24" / 203.2 x 609.6mm	0.197" / 5 mm	Straight	10.4 ft ² / 0.965m ²	9 pieces	20.9 lb / 9.5 kg

Antique Woods, Bamboo, Clovelly CLL42511, CLL42512, CLL42516, Concrete, Cork, Cow, Earth Woods, Elements, Hammered Aluminum, Healthcare Wood, Natural Woods, Rusted Steel, Solids, Sparkly Chips, Stained Concrete, Tadao & Ando, Tread Plate, Weathered Concrete

Technical Standards

	ASTM and EN Standard	Result
Wear Group	EN 685	Class 34,43
Caster Chair	ASTM D6962	(10,000 cycles) 4.5 (scale 1-5)
Slip Resistance	ASTM D2047 DIN 51130 EN 13893	ADA Compliant R10 ≥ 0.3
Residual Indentation	ASTM F970 EN 433 ASTM F1914-98	(250 lbs) 0.003" 0.07 mm (Residual indentation at 75 lbs) - 0.002"
Chemical Resistance	ASTM F925 EN 423	Excellent Excellent
Acoustical Impact Noise Reduction	ASTM E492-09 EN ISO 717-2	IIC 46 22dB
Color Fastness	ASTM F1515 ISO 105-B02-3	Exceeds requirements ≥ 6
Dimensional Stability	ASTM F2199 EN 434	Exceeds requirements ≤ 0.25%
Flexibility	ASTM F137 EN 435	Pass Pass
Smoke Generation	ASTM E662	> 450
Fire Rating	ASTM E648 DIN 4102 EN 1350-1	Class 1 B 1 B ₁ -s1

